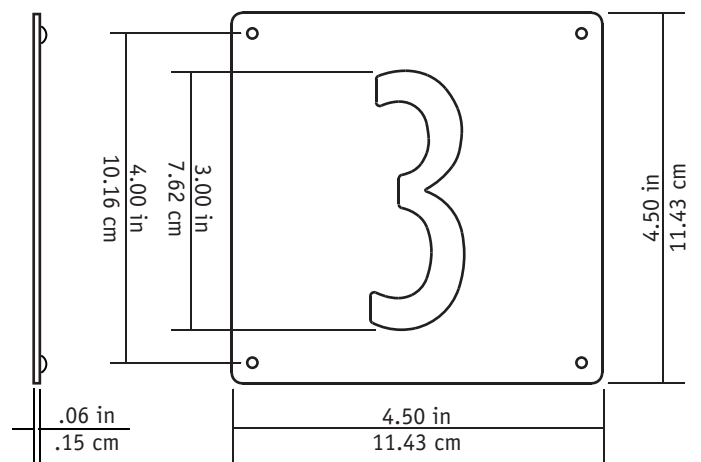
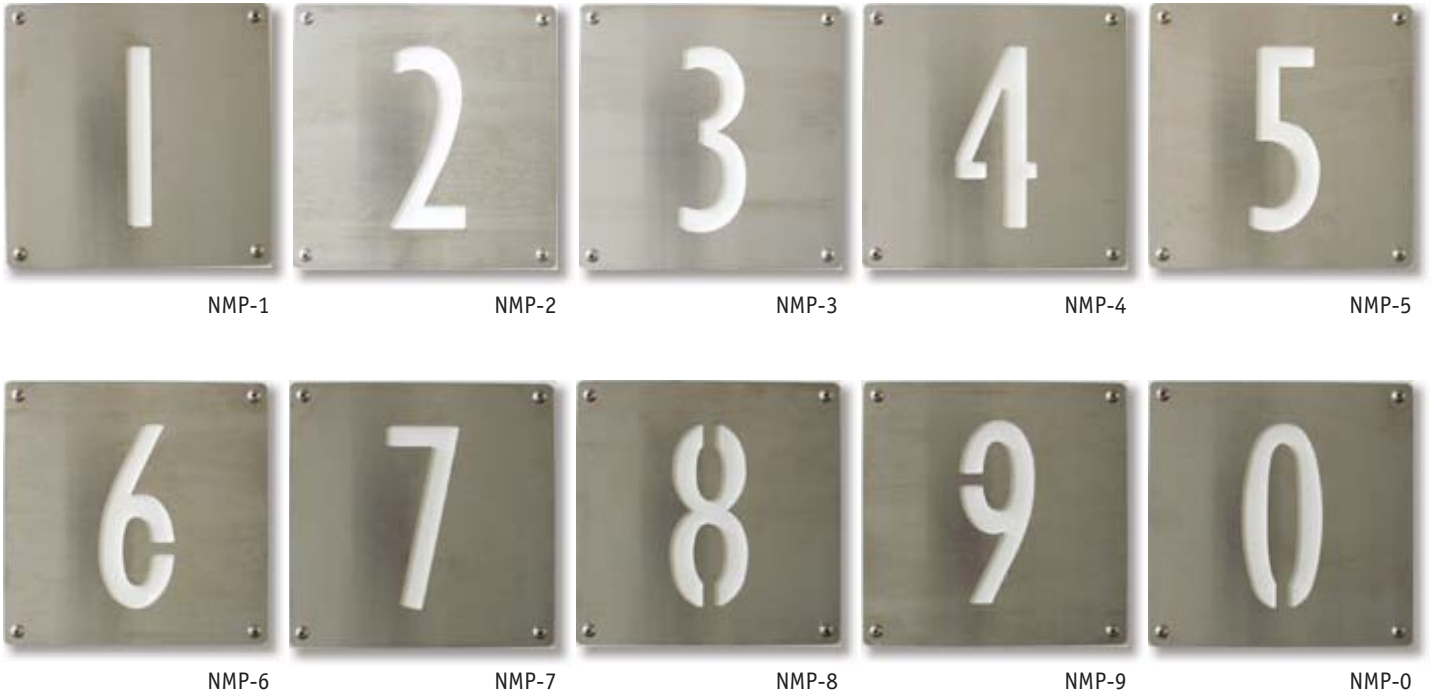


NMP

Address Numeral Plate

Our 4.5" numeral plates are laser cut from 16 Gauge Stainless Steel. The panels easily surface mount in vertical, horizontal or other creative arrangements. Numerals 0 through 9 plus A, B, C and 1/2 are standard, additional letters are available at special request. Use our LED illuminate panels to create an inviting evening glow!



NMIP

LED Illuminated Panel

Illuminated panels for our 4.5" numeral plates. Measuring only 1/4" thick, these panels are a lamination of acrylic and polycarbonate with an embedded circuit board providing LED illumination in one of five color options. The panels easily surface mount behind the numeral plates providing an inviting glow to your address as night falls.



NMIP2-A shown above with numeral plates

Design: Tom Gordon and Ted Pierson, 2003

Model:

NMIP(numeral plate positions,1 to 5)-(Color)

Colors:

Amber (A), Blue (B), Green (G), Red (R), White (W)

Power Required:

8 - 16 Volts AC or 6 - 12 Volts DC

Power Consumption:

Less than 1 watt! .015A at 12V DC for each position.

Lamping:

Light Emitting Diodes (LED's) are solid state light sources that consume little power and will normally last 10 years running continuously.

Features:

Power can be provided by standard doorbell transformer.
Installation can be oriented vertical or horizontal.
Custom signage and sizes can be created at additional cost.

