

TABLES

Dimensions

All dimensions are in inches and millimeters. Dimensioned drawings below can be downloaded at www.chernerchair.com

Specifications

Top: One piece 1" multiply plywood core with walnut or beech face veneer. Solid walnut or beech edge banding. Round tops have a profiled exposed multiply core edge.

Wood Base: Laminated beech. Face veneers in walnut or beech.

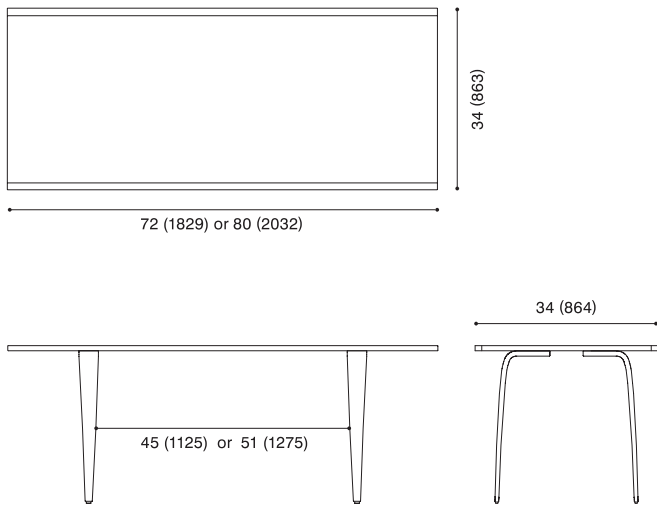
Cherner

The Cherner Chair Company

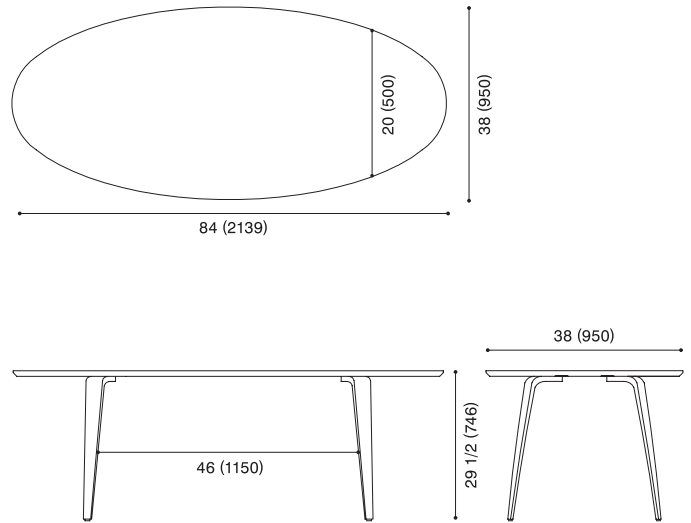
PO Box 509
Ridgefield, CT 06877
www.ChernerChair.com

1.866.243.7637

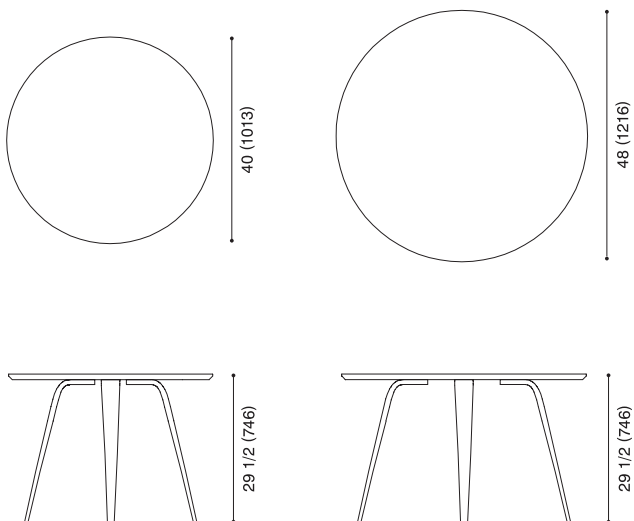
CHERNER 34" x 72/ 80" DINING



CHERNER 84" x 38" OVAL DINING



CHERNER 40"/ 48" DIA



COFFEE TABLE 32"/36" DIA

