

VIPP2 WIPER

DESIGNER

Vipp Design Lab 2009

COUNTRY OF ORIGIN

Design: Denmark
Production: PRC
Assembly: PRC

PRODUCT DESCRIPTION

The shower wiper has a replaceable wiper blade in soft rubber, which easily removes water from smooth surfaces. The handle in rubber coated solid steel has a good weight, while the soft edges protect surfaces. The rubber strap makes it easy to hang up the shower wiper after use. The design of the Vipp shower wiper matches the bathroom collection from Vipp.



CARE INSTRUCTIONS

Stainless steel surfaces should be cleaned and polished with a microfiber cloth, glass cleaner or other non-abrasive and gentle cleaning agents. Rubber parts should be cleaned with a moist cloth. Apply silicone spray for better finish.

The wiper blade is replaceable and can be bought at vipp.com or at Vipp retailers.

WARRANTY

2 years warranty. The warranty presupposes rightful use as described in Vipp's care instructions, with reservations for normal wear and tear. Please see Vipp's care instructions at www.vipp.com.



VIPP2 WIPER

MATERIALS

Handle: Silicone (High tensile) Laser free.

Fork: Stainless steel (AISI 316), laser engraved logo

Screws: Hexagonal Stainless steel (AISI 316) (M4)

Wiper blade: Silicone

MANUFACTURING

Fork for handle: Spark cut, polished and laser engraved

Handle: Cast

Blade holder: Injection moulded

Blade: Compression moulding.

DIMENSIONS & WEIGHT

Length: 265 mm

Width: 150 mm

Weight: 0,350 kg

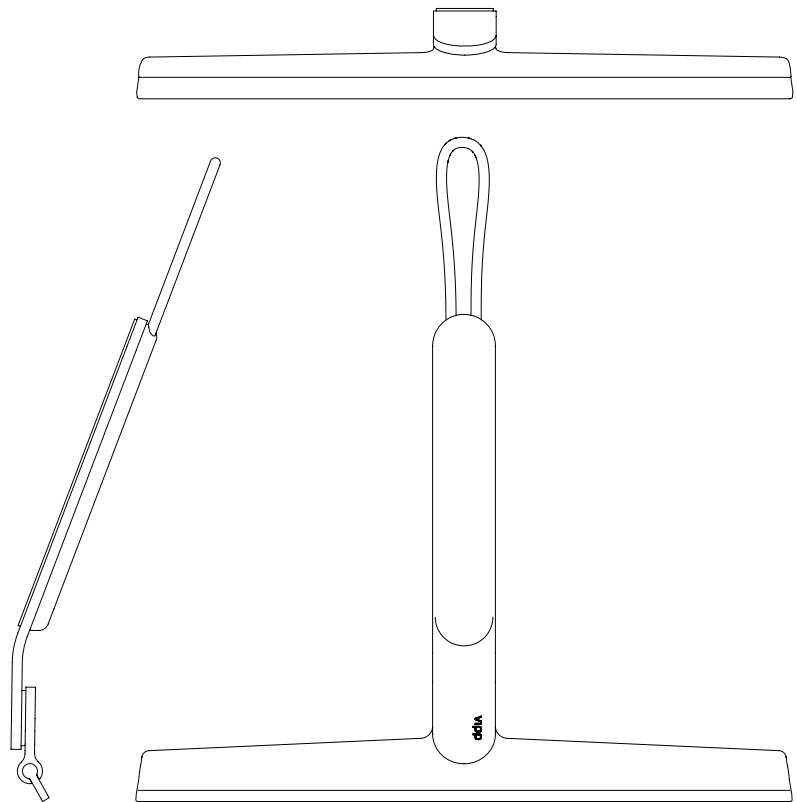
PACKAGING/FSC

Grey gift box

Height: 45 mm

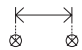
Weight: 270 mm

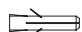
Length: 240 mm



VIPP2 MOUNTING INSTRUCTIONS

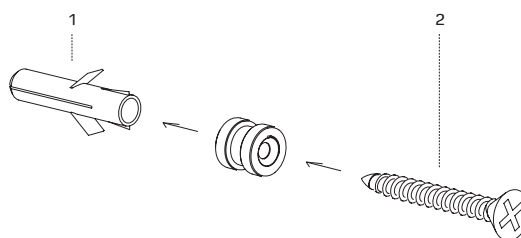
 **DRILL SIZE**
ø 6mm

 **DRILLING DISTANCE**
120mm

 **BRICK/CONCRETE RAWLPLUGS**
Please make sure to choose rawlplugs according to the material on which you want to place the product. Substitute enclosed rawlplugs with another type if needed.

1 - Drill holes and place rawlplugs.

2 - Mount bushings using screws.



HOW TO CLEAN

For cleaning disassemble the handle and blade. For a more thorough cleaning unscrew the blade holder and the fork for handle.

