

2TUBES CEILING

Charles Kalpakian

CODE#

TYPE:

PROJECT NAME:

Ceiling and wall luminaries composed of two cylindrical elements in extruded aluminum, equipped with an opal polycarbonate lens for a diffused uniform light. Ceiling version with a 340° rotation for the ceiling fixed element while the other element adjustable by 90°. Wall version with a wall fixed element and the other adjustable by 60°. Available in white and grey, white and light gold and white and light white powder coated finishing. Dimmable.



SPECIFICATION SHEET

Luminart[®]

WWW.LUMINARTLIGHTING.COM

2TUBES CEILING

Charles Kalpakian

CODE#

TYPE:

PROJECT NAME:

LED

Lamping

Source	LED BOARD
Total power	2x13W
Emission	Diffused, Orientable
Dimming	Dimmable TRIAC
Voltage	120V
Color temperature	2700K
Luminous flux	2400lm
Typ cri	80
Energy class	A+
Ip class	40
Dimensions	14x7x30
Materials	Aluminium



Codes

TTU LWD 41
TTU LWG 41
TTU LWW 41

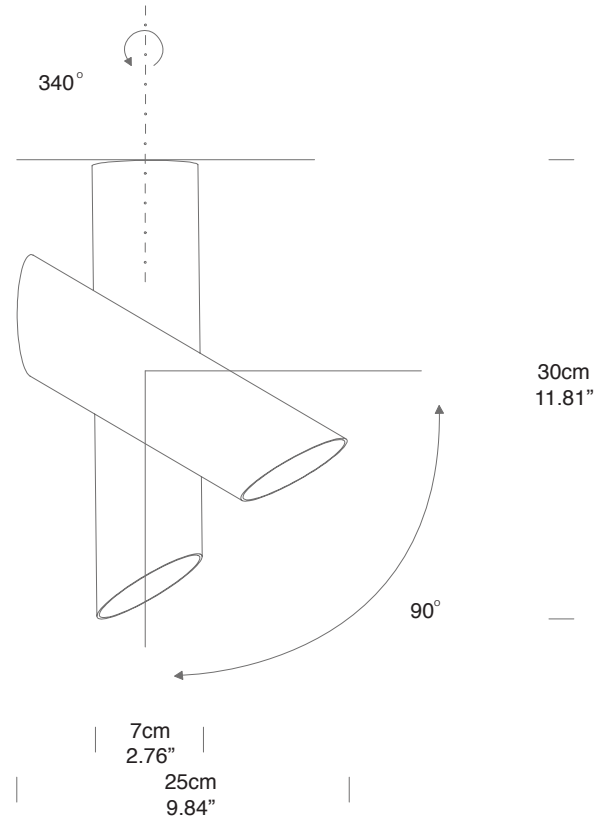
Structure

white/grey
white/light gold
white/white

Diffuseur

Package

LxPxH (base)	26x26x26	(10.24x10.24x10.x24")
Weight (base)	1.2kg	(2.64lbs)



SPECIFICATION SHEET

Luminart®

WWW.LUMINARTLIGHTING.COM