

ALYA

Gabriele Rosa

CODE#

TYPE:

PROJECT NAME:

Light pendant LED lamp with diffused lighting, with 70% uplight and 30% downlight output. Arms in extruded aluminium, central body in die-casted aluminium. Diffuser in opaline methacrylate. Available in white or matt black. Dimmable also with remote control.



SPECIFICATION SHEET

Luminart[®]

WWW.LUMINARTLIGHTING.COM

ALYA

Gabriele Rosa

CODE#

TYPE:

PROJECT NAME:

REMOTE CONTROL LED

Lamping

Source	linear LED
Total power	35W
Emission	uplight, diffused
Dimming	triac
Voltage	120V
Color temperature	3000K
Luminous flux	4870lm
Typ cri	83
Energy class	A+
Materials	aluminium + PMMA



Codes

ALY LWW 52
ALY LNN 52

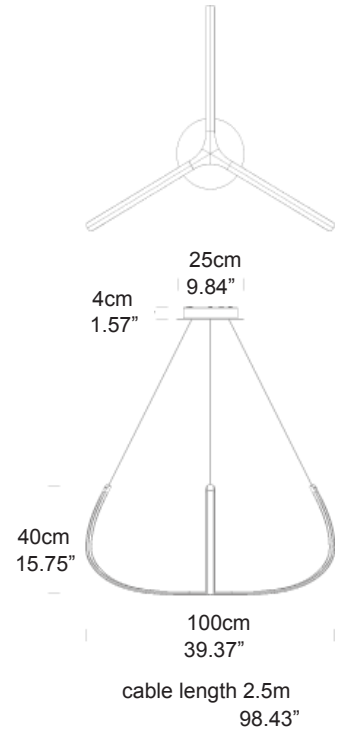
Structure



Diffuseur

Package

LxPxH (base)	16x64x47 (6.30x25.20x18.50")
Weight (base)	4.5kg (8.8lbs)



ALYA

Gabriele Rosa

CODE#

TYPE:

PROJECT NAME:

LED

Lamping

Source	linear LED
Total power	35W
Emission	uplight, diffused
Dimming	triac
Voltage	120V
Color temperature	3000K
Luminous flux	4870lm
Typ cri	83
Energy class	A+
Materials	aluminium + PMMA

Codes

ALY LWW 51

ALY LNN 51

Structure



Diffuseur

Package

LxPxH (base) 16x64x47 (6.30x25.20x18.50")

Weight (base) 4.5kg (8.8lbs)

