

UNTITLED READING LINEAR

Bernhard Osann

Family of table, floor and wall LED lamps in extruded matt black painted aluminum with joints for flexible and dynamic positioning of the light.

Available in the version with the linear lighting unit in polymer filled with glass fibers that rotates on itself and in the version with cylindrical spot light in aluminum. Dimmer on board located on the lamp stem.



2700K

LAMPING

Source	LED board
Total power	7W
Emission	orientable
Switching	dimnable, on board 24V DC
Tension	110/240V
Color temperature	2700K
Luminous flux	485lm (luminous output)
Typ CRI	90
Energy class	A+
Notes	cable length 2m
Net lamp weight	5 kg

Codes

UNT LNN 23

Structure

black

PACKAGE

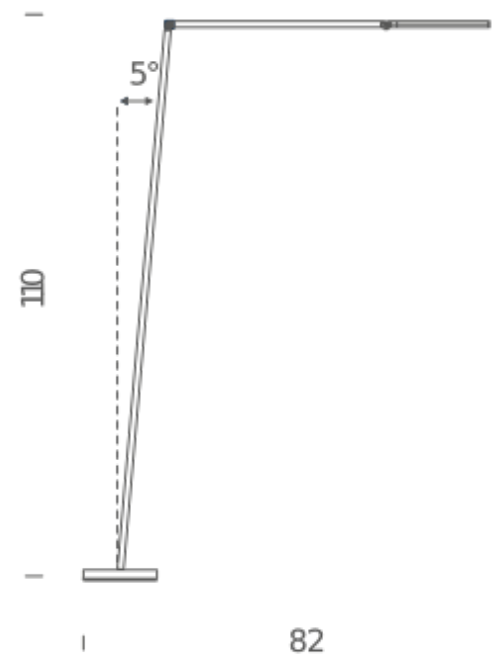
Package 01

Dimension: 206x15x11 cm / Gross weight: 4,5 kg

Package 02

Dimension: 24x20x8 cm / Gross weight: 1,5 kg

Certificazioni



3000K

LAMPING

Source	LED board
Total power	7W
Emission	orientable
Switching	dimnable, on board 24V DC
Tension	110/240V
Color temperature	3000K
Luminous flux	485lm (luminous output)
Typ CRI	90
Energy class	A+
Notes	cable length 2m
Net lamp weight	5 kg

Codes

UNT LNN 24

Structure

black

PACKAGE

Package 01
Package 02

Dimension: 206x15x11 cm / Gross weight: 4,5 kg
Dimension: 24x20x8 cm / Gross weight: 1,5 kg

Certificazioni

